


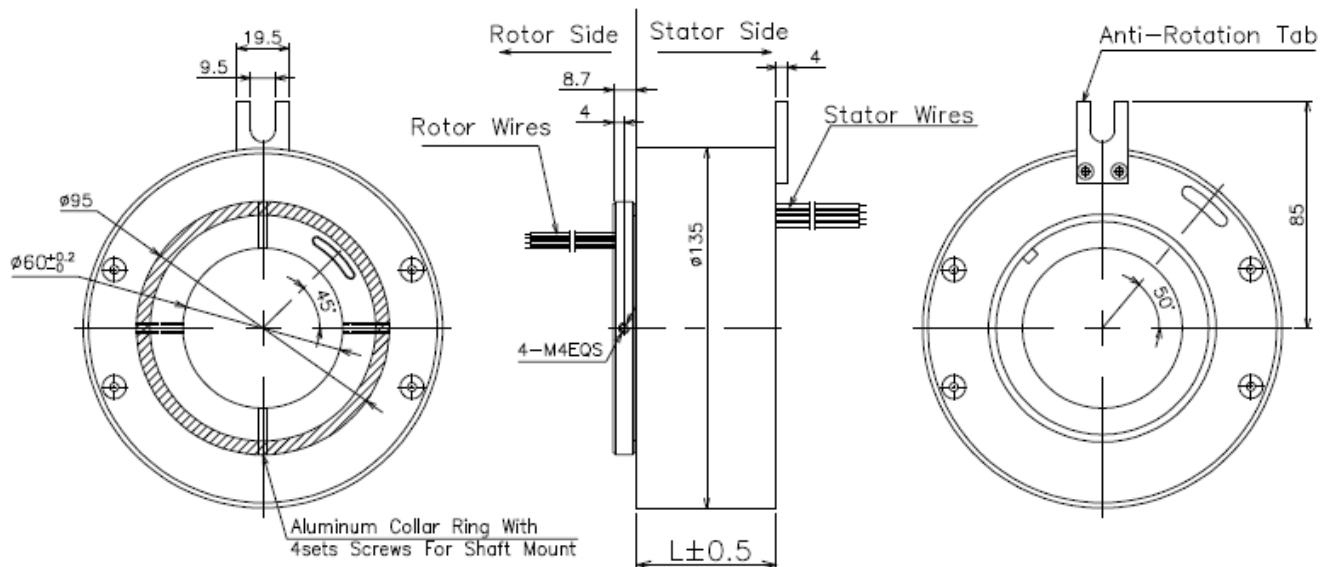
Typical applications:

- ◆ Antenna system
- ◆ Testing machine
- ◆ Robot arm
- ◆ Packing machine

Advantage:

- ◆ Transfers power, as well as analog and digital signals
- ◆ Compatible with data bus protocols
- ◆ Fiber brush technology provides long life and maintenance free operation
- ◆ Compact packaging

ECN060 Specification		Picture
Through hole size	60mm	
Number of circuits	6,12,18,24 or more	
Operating speed	300rpm or higher	
Current Rating	5A,10A,15A/circuit,	
Voltage	380VAC	
Dielectric strength	≥1000V@50Hz	
Insulation Resistance	1000MΩ@ 500VDC	
Electrical noise	100 milliohms max.	
Operating temperature	-20~+60℃	
Protection Grade	IP54	
Lead wire size	5A- 22AWG Teflon 10A- 17AWG Teflon 15A- 14AWG Teflon	
Option	<ul style="list-style-type: none"> • Lead wire length • IP grade • Operating speed 	



L (mm)				
	6 circuits	12 circuits	18circuits	n circuits
5A	52.5	70.5	88.5	$36+n*1.5+(n-1)*1.5$
10A	56.7	78.9	101.1	$36+n*2.2+(n-1)*1.5$
15A/20A	61.5	88.5	115.5	$36+n*3+(n-1)*1.5$
25A/30A	70.5	106.5	142.5	$36+n*4.5+(n-1)*1.5$